

Fish Trap & Picket System Arrangement - Plan View

Colville Confederated Tribes

Fish & Wildlife

Okanogan River Fish Collection Weir
Malott Site 2

**Fish Trap & Picket System
Plan View Overall
Figure 1**

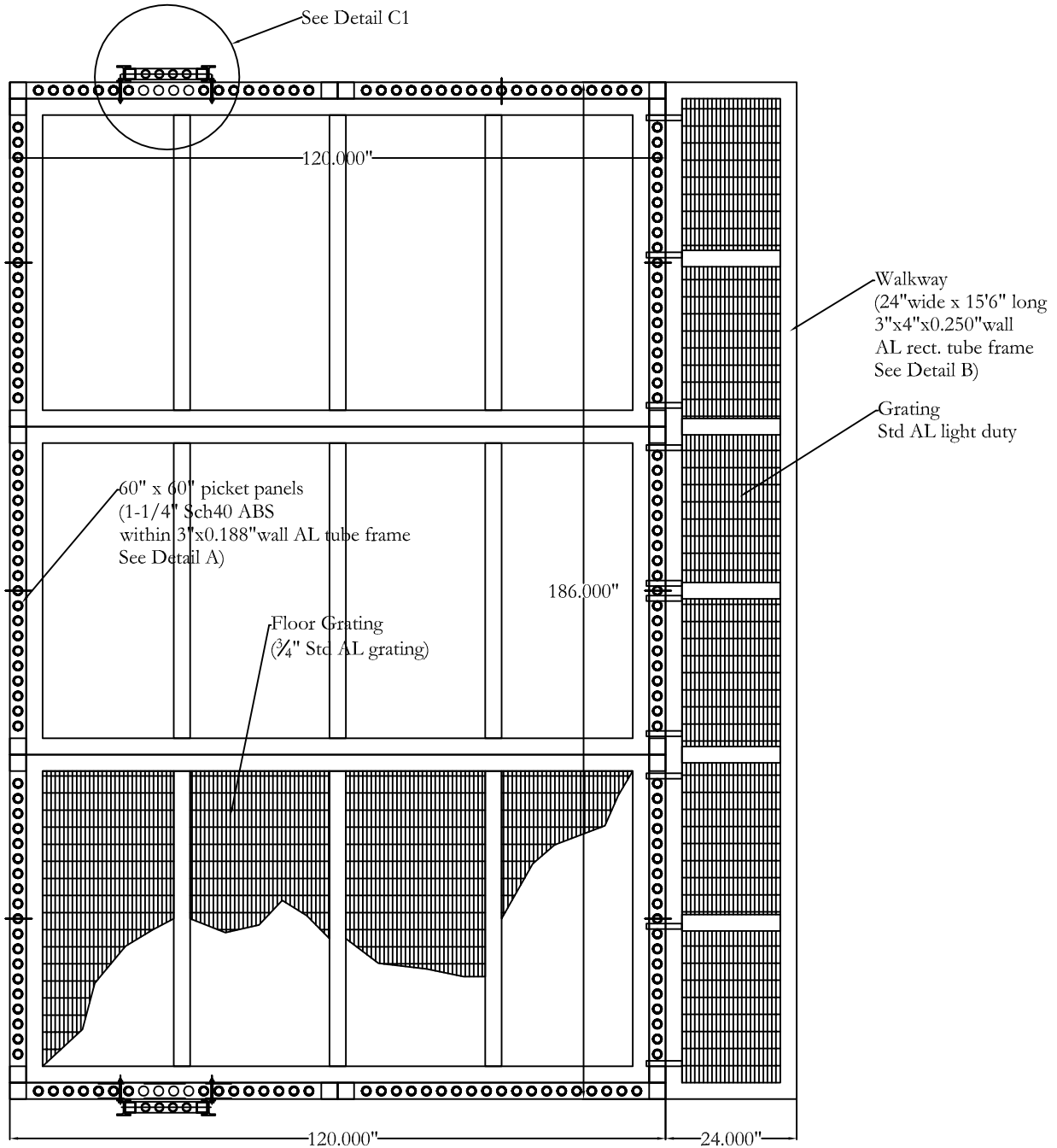
21893-1

REV. NO.: 0

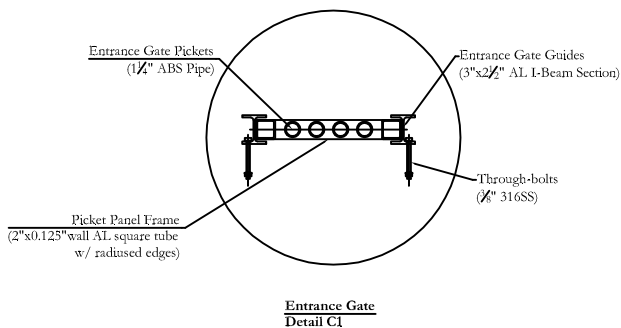
DRN. BY: TRS

5 May 2011

northwest hydraulic consultants



Fish Trap - Top View



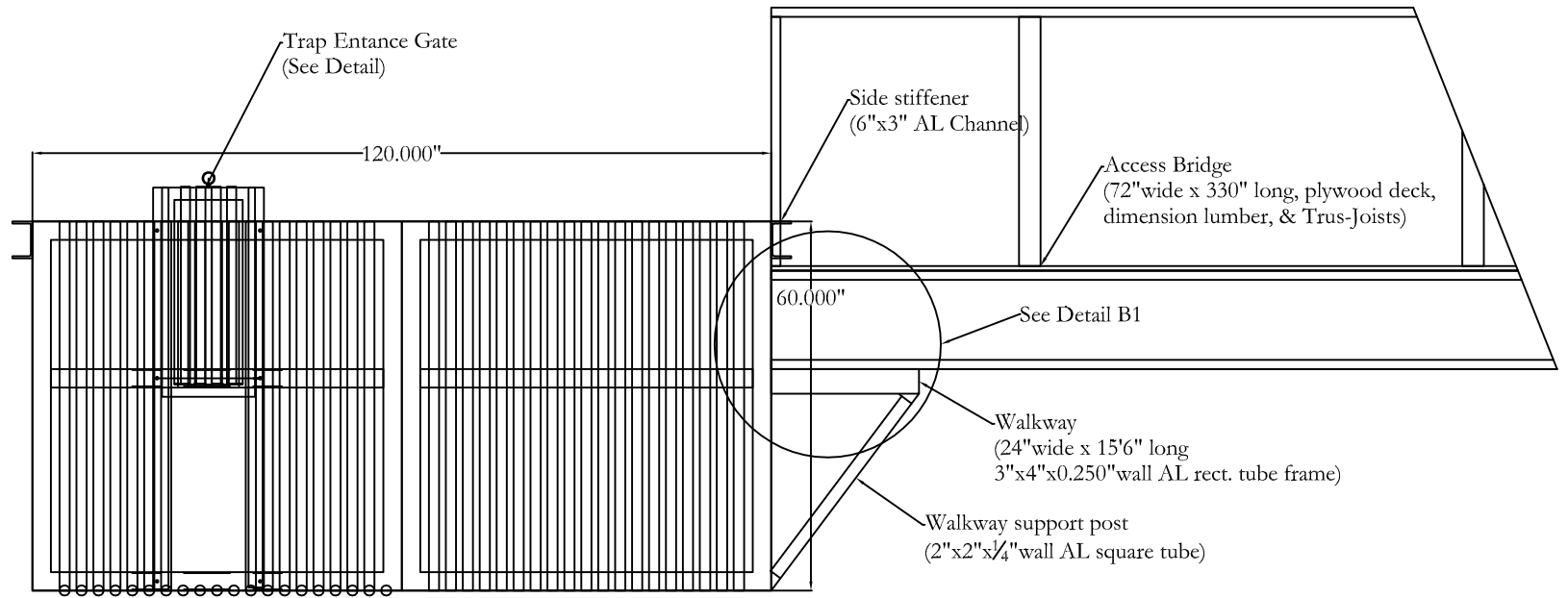
**Colville Confederated Tribes
Fish & Wildlife**

Okanogan River Fish Collection Weir
Malott Site 2

**Fish Trap Details
Plan View
Figure 2**

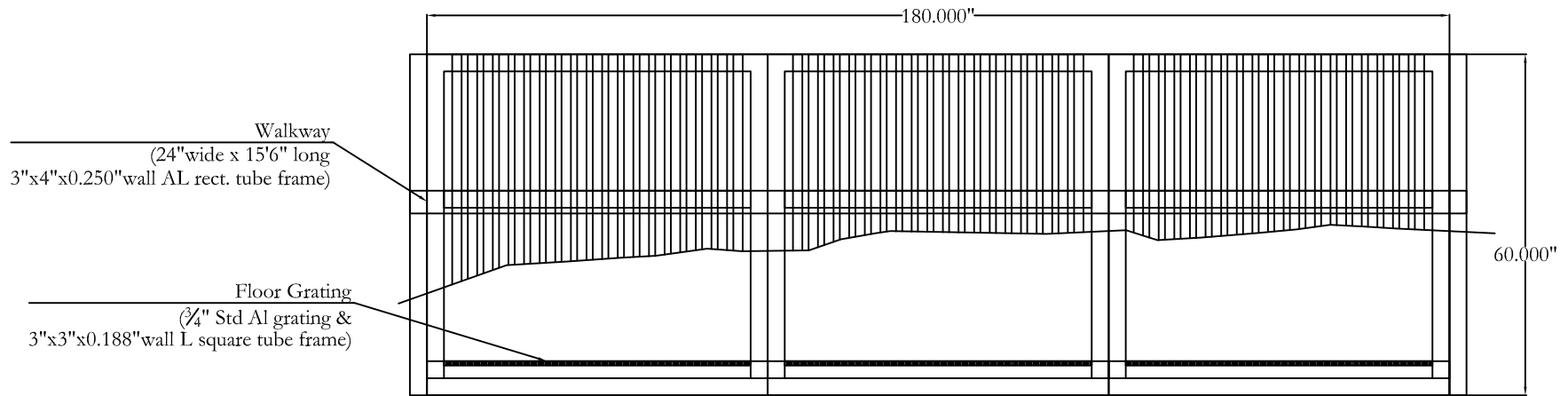
21893-1	REV. NO.: 0	DRN. BY: TRS	5 May 2011
---------	-------------	--------------	------------

northwest hydraulic consultants



Trap
Typical Front Elevation

Colville Confederated Tribes			
Fish & Wildlife			
Okanogan River Fish Collection Weir Malott Site 2			
Fish Trap Details Front Elevation Figure 3			
21893-1	REV. NO.: 0	DRN. BY: TRS	5 May 2011
northwest hydraulic consultants			



Trap
Typical Side Elevation

Colville Confederated Tribes

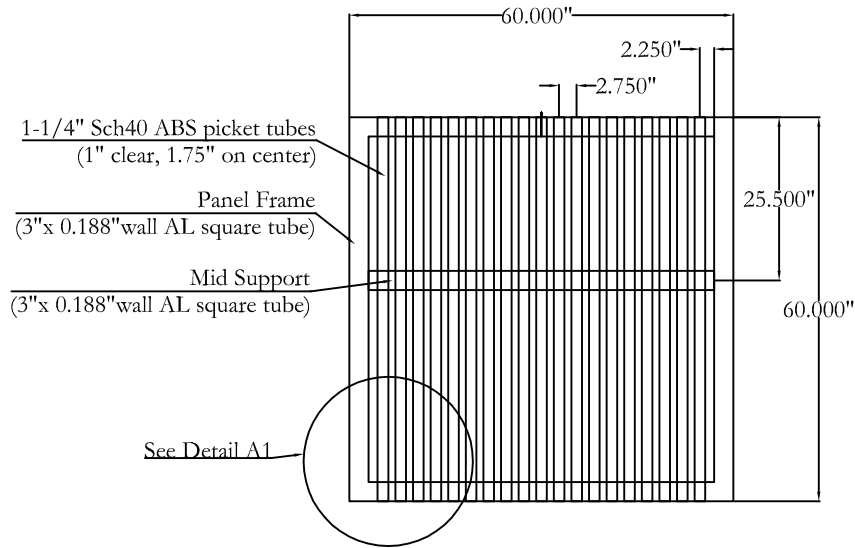
Fish & Wildlife

Okanogan River Fish Collection Weir
Malott Site 2

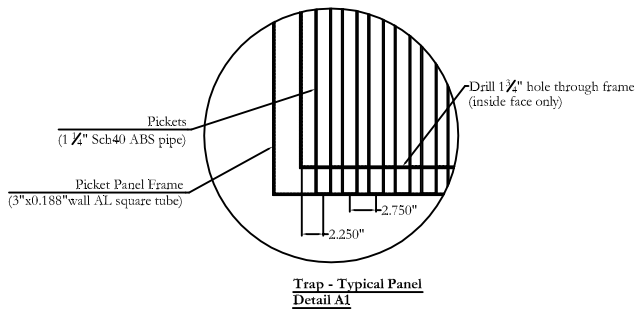
Fish Trap Details
Side Elevation
Figure 4

21893-1	REV. NO.: 0	DRN. BY: TRS	5 May 2011
---------	-------------	--------------	------------

northwest hydraulic consultants



**Trap - Typical Panel
Detail A**



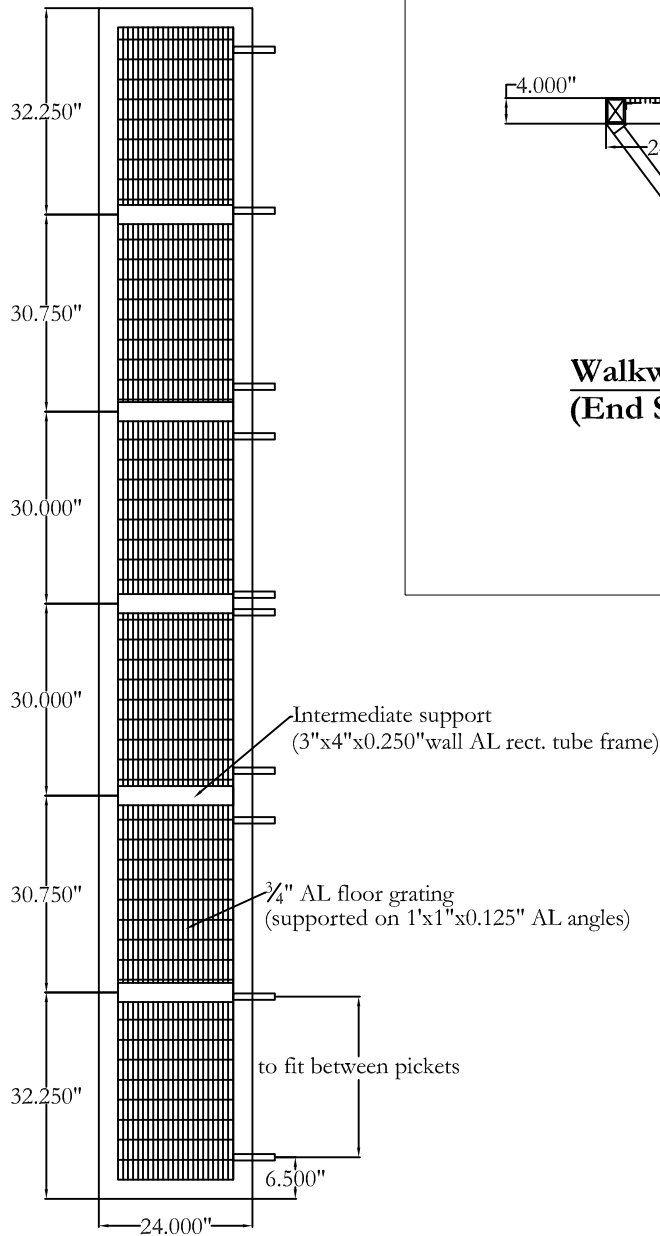
**Colville Confederated Tribes
Fish & Wildlife**

Okanogan River Fish Collection Weir
Malott Site 2

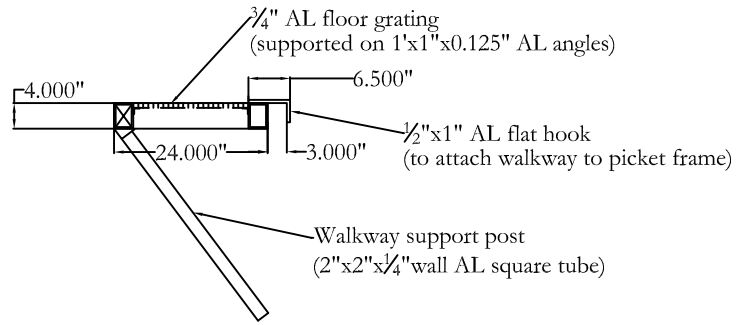
**Fish Trap Details
Trap Panel Detail A (Typical)
Figure 5**

21893-1	REV. NO.: 0	DRN. BY: TRS	5 May 2011
---------	-------------	--------------	------------

northwest hydraulic consultants



**Walkway - Detail B
(Typical Plan View)**



**Walkway - Detail B1
(End Section)**

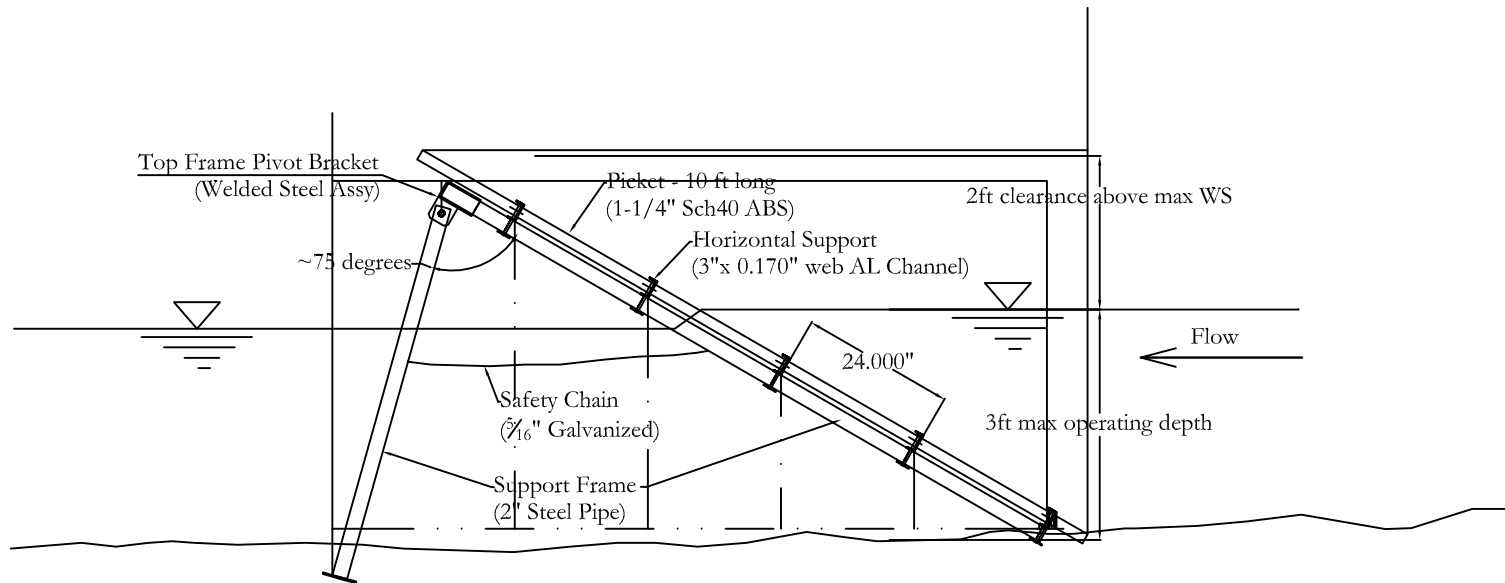
**Colville Confederated Tribes
Fish & Wildlife**

Okanogan River Fish Collection Weir
Malott Site 2

**Fish Trap Details
Walkway Detail B - Plan View
Figure 6**

21893-1	REV. NO.: 0	DRN. BY: TRS	5 May 2011
---------	-------------	--------------	------------

northwest hydraulic consultants



**Typical Side Elevation
(deployed position)**

Colville Confederated Tribes

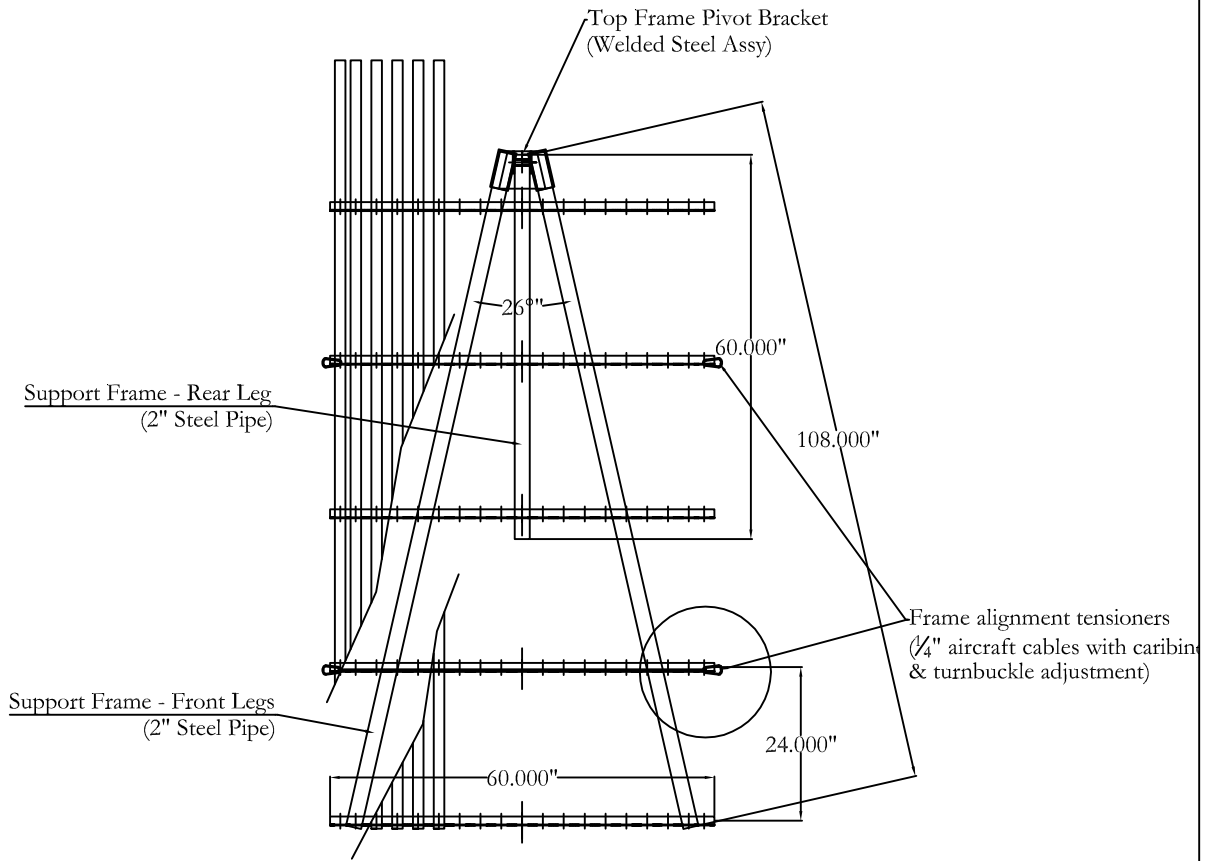
Fish & Wildlife

Okanogan River Fish Collection Weir
Malott Site 2

**Weir Picket Panel Details
Side Elevation - (deployed)
Figure 7**

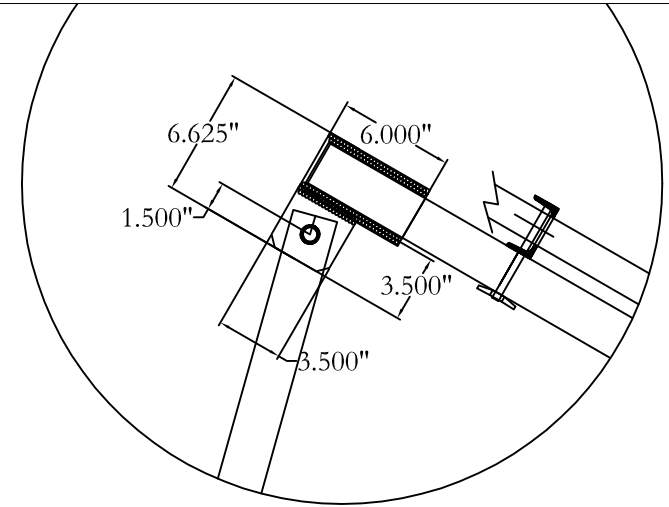
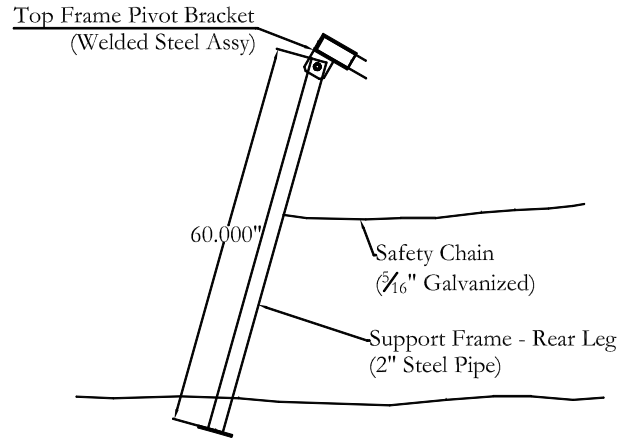
21893-1	REV. NO.: 0	DRN. BY: TRS	5 May 2011
---------	-------------	--------------	------------

northwest hydraulic consultants

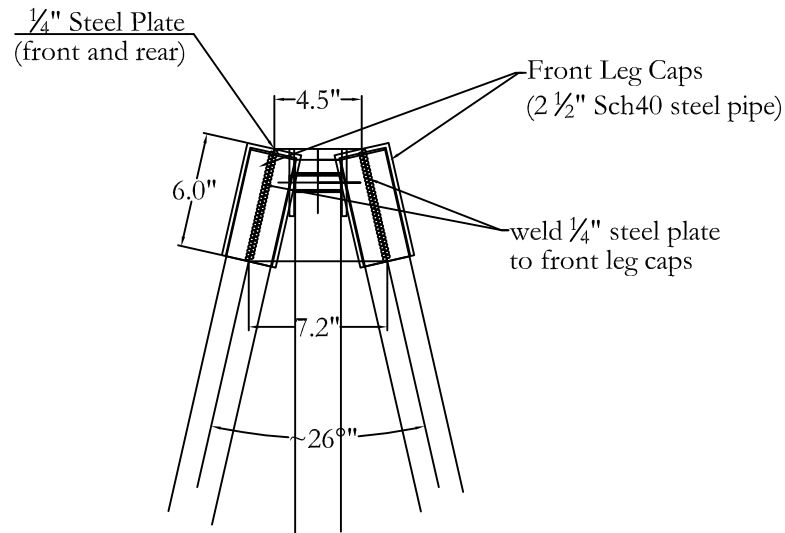


**Front Frame Legs
& Picket Supports**

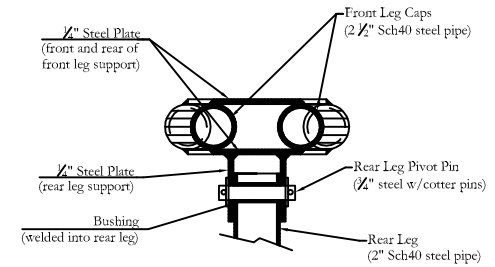
Colville Confederated Tribes			
Fish & Wildlife			
Okanogan River Fish Collection Weir Malott Site 2			
Weir Picket Panel Details Front Frame Legs & Picket Supports Figure 8			
21893-1	REV. NO.: 0	DRN. BY: TRS	5 May 2011
northwest hydraulic consultants			



**Top Frame Pivot Bracket - Side View
(Welded Steel Assembly)**



**Top Frame Pivot Bracket - Front View
(Welded Steel Assembly)**



**Top Frame Pivot Bracket - Front View
(Welded Steel Assembly)**

**Colville Confederated Tribes
Fish & Wildlife**

Okanogan River Fish Collection Weir
Malott Site 2

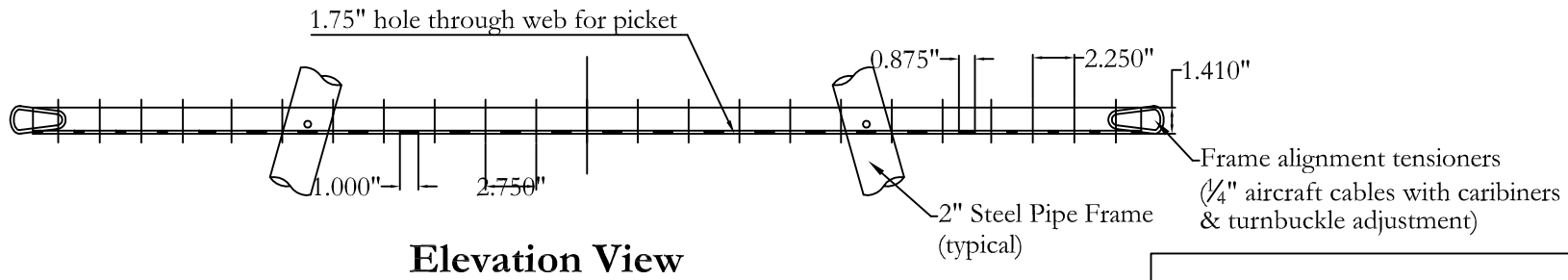
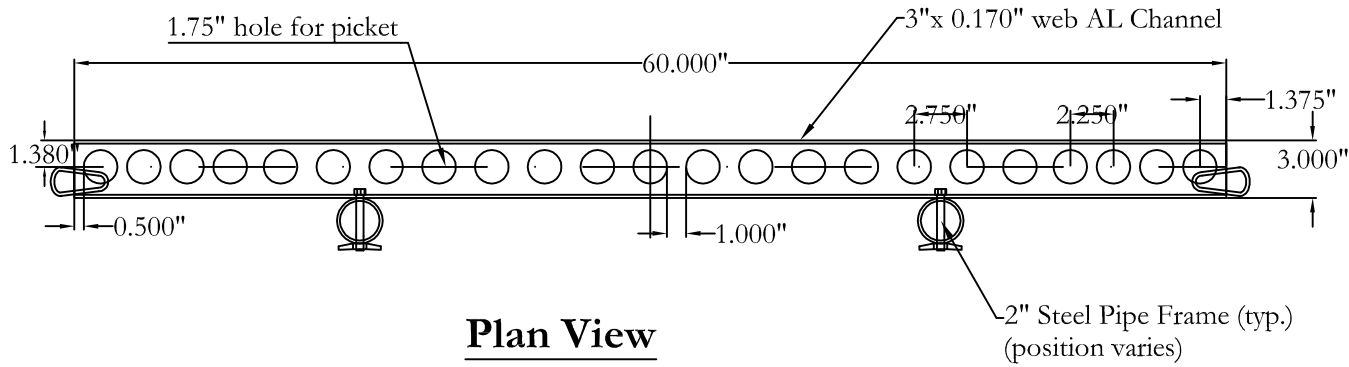
**Weir Picket Panel Details
Rear Frame Leg & Top Frame Bracket
Figure 9**

21893-1 | REV. NO.: 0 | DRN. BY: TRS | 5 May 2011

northwest hydraulic consultants

NOTE:

lay out holes from center.
 adjust end hole locations to fit as shown.
 4 end holes each side 2.25" apart on center.



Horizontal Picket Support
(For 1-1/4" PVC Typical - 1" clear)

Colville Confederated Tribes

Fish & Wildlife

Okanogan River Fish Collection Weir
 Malott Site 2

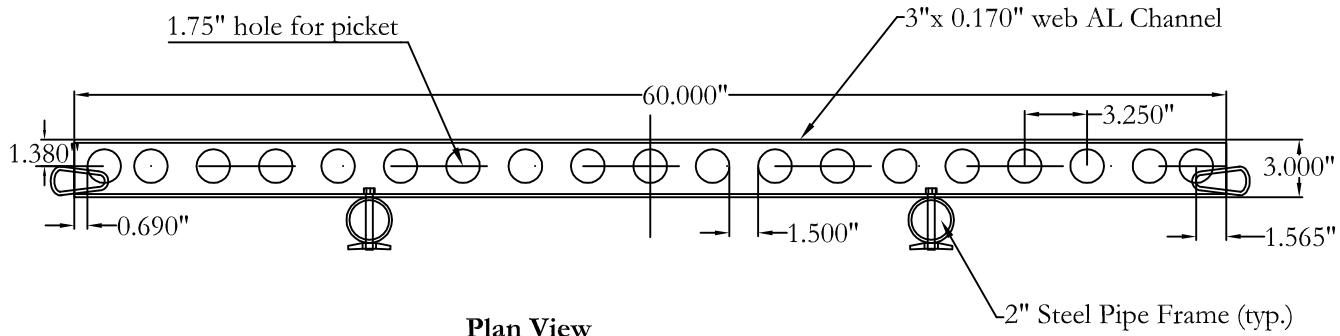
Weir Picket Panel Details
 Picket Supports - (1.0" clear spacing)
 Figure 10

21893-1	REV. NO.: 0	DRN. BY: TRS	5 May 2011
---------	-------------	--------------	------------

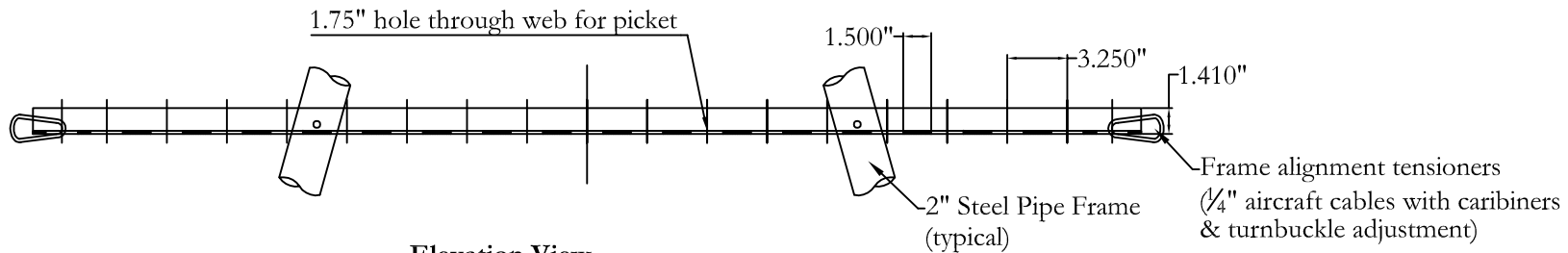
northwest hydraulic consultants

NOTE:

lay out holes from center.
adjust end hole locations to fit as shown.



Plan View



Elevation View

Horizontal Picket Support
(For 1-1/4" PVC Typical - 1.5" clear)

Colville Confederated Tribes

Fish & Wildlife

Okanogan River Fish Collection Weir
Malott Site 2

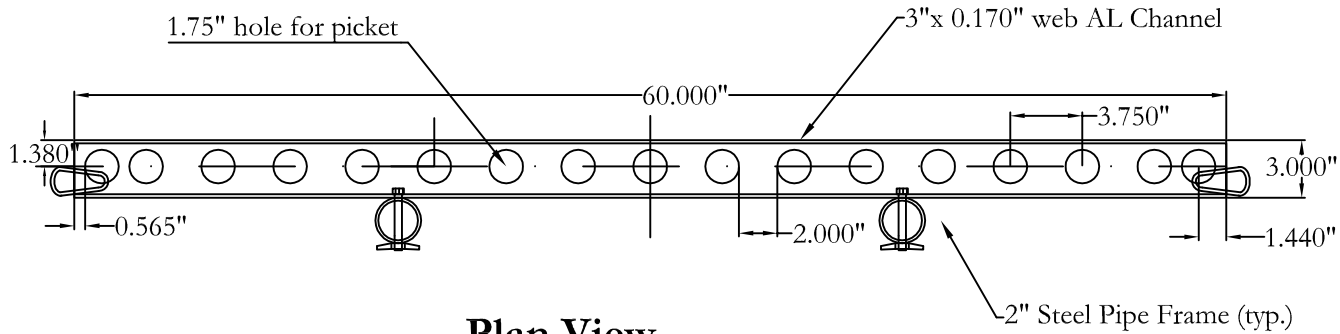
Weir Picket Panel Details
Picket Supports - (1.5" clear spacing)
Figure 11

21893-1	REV. NO.: 0	DRN. BY: TRS	5 May 2011
---------	-------------	--------------	------------

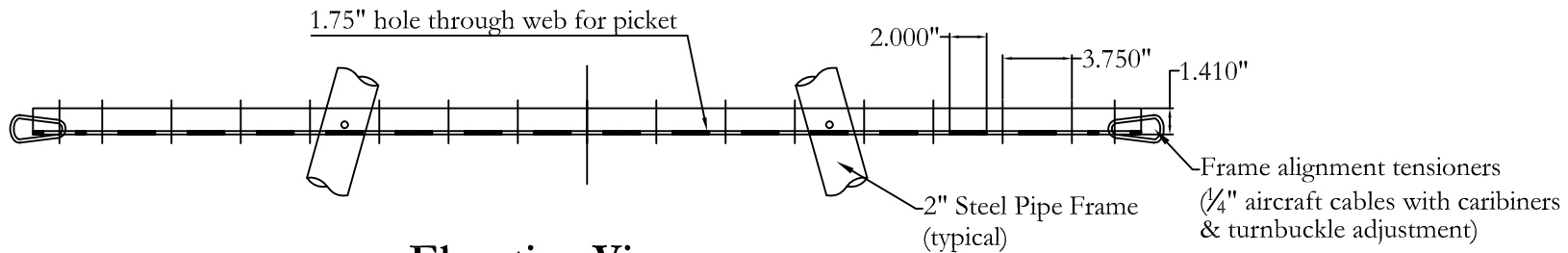
northwest hydraulic consultants

NOTE:

lay out holes from center.
adjust end hole locations to fit as shown.



Plan View



Elevation View

**Horizontal Picket Support
(For 1-1/4" PVC Typical - 2" clear)**

Colville Confederated Tribes

Fish & Wildlife

Okanogan River Fish Collection Weir
Malott Site 2

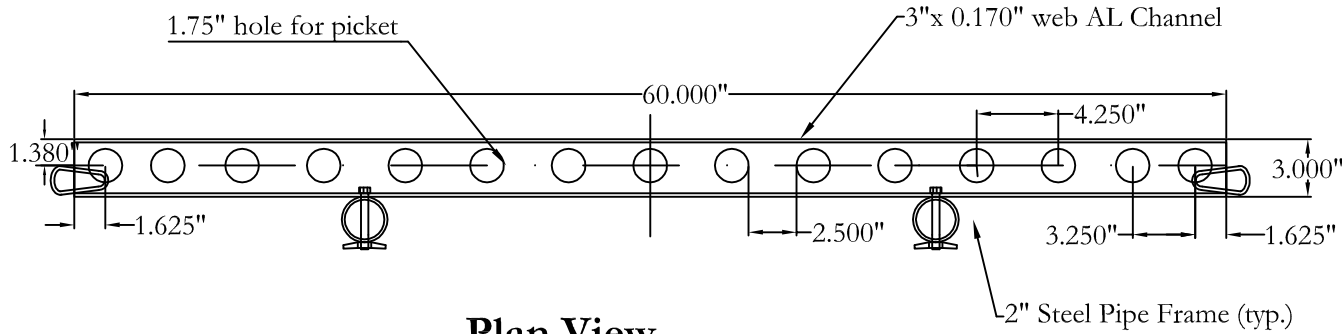
Weir Picket Panel Details
Picket Supports - (2" clear spacing)
Figure 12

21893-1	REV. NO.: 0	DRN. BY: TRS	5 May 2011
---------	-------------	--------------	------------

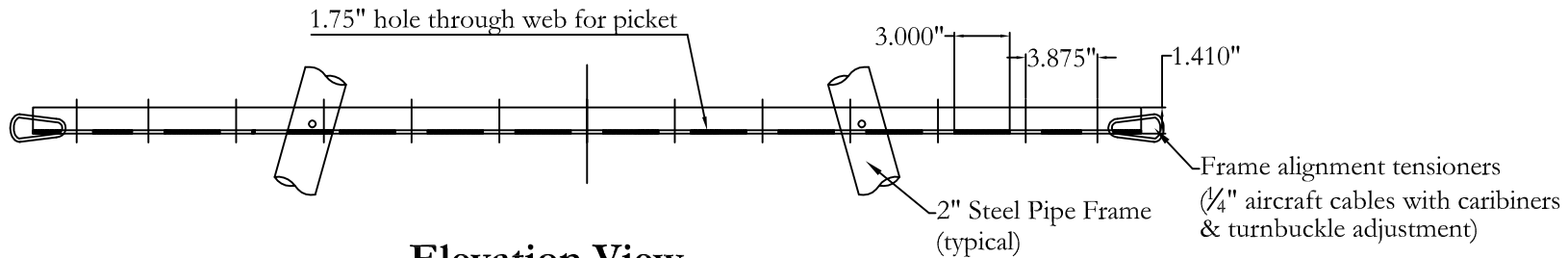
northwest hydraulic consultants

NOTE:

lay out holes from center.
adjust end hole locations to fit as shown.



Plan View



Elevation View

Horizontal Picket Support
(For 1-1/4" PVC Typical - 2.5" clear)

Colville Confederated Tribes

Fish & Wildlife

Okanogan River Fish Collection Weir
Malott Site 2

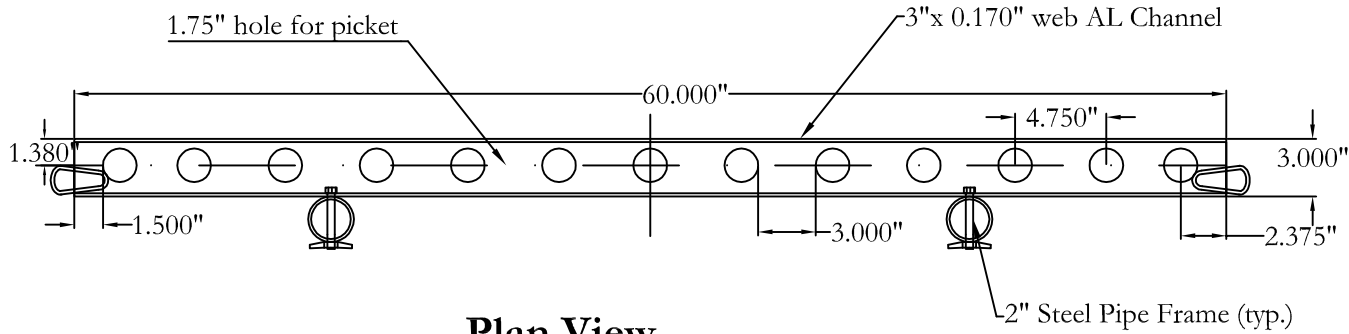
Weir Picket Panel Details
Picket Supports - (2.5" clear spacing)
Figure 13

21893-1	REV. NO.: 0	DRN. BY: TRS	5 May 2011
---------	-------------	--------------	------------

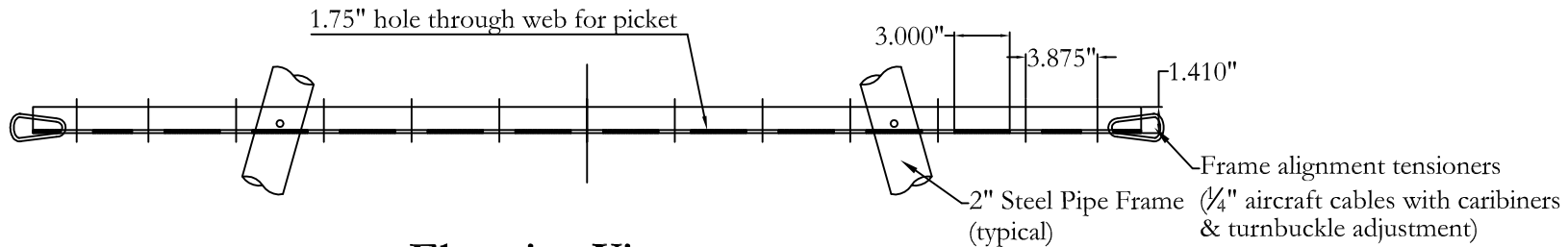
northwest hydraulic consultants

NOTE:

lay out holes from center.
adjust end hole locations to fit as shown.



Plan View



Elevation View

**Horizontal Picket Support
(For 1-1/4" PVC Typical - 3" clear)**

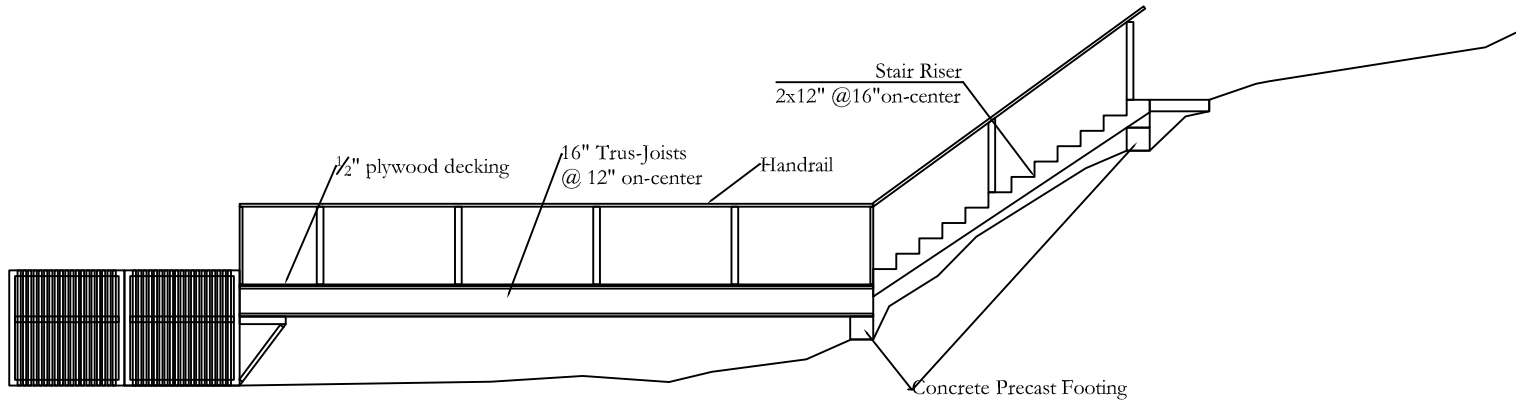
**Colville Confederated Tribes
Fish & Wildlife**

Okanogan River Fish Collection Weir
Malott Site 2

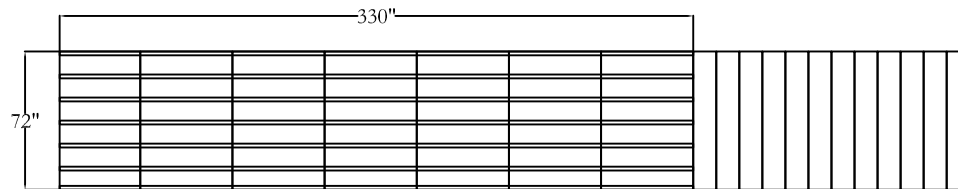
**Weir Picket Panel Details
Picket Supports - (3" clear spacing)
Figure 14**

21893-1	REV. NO.: 0	DRN. BY: TRS	5 May 2011
---------	-------------	--------------	------------

northwest hydraulic consultants



Access Bridge & Stairway -
Side Elevation



Access Bridge & Stairway
- Plan View

Colville Confederated Tribes

Fish & Wildlife

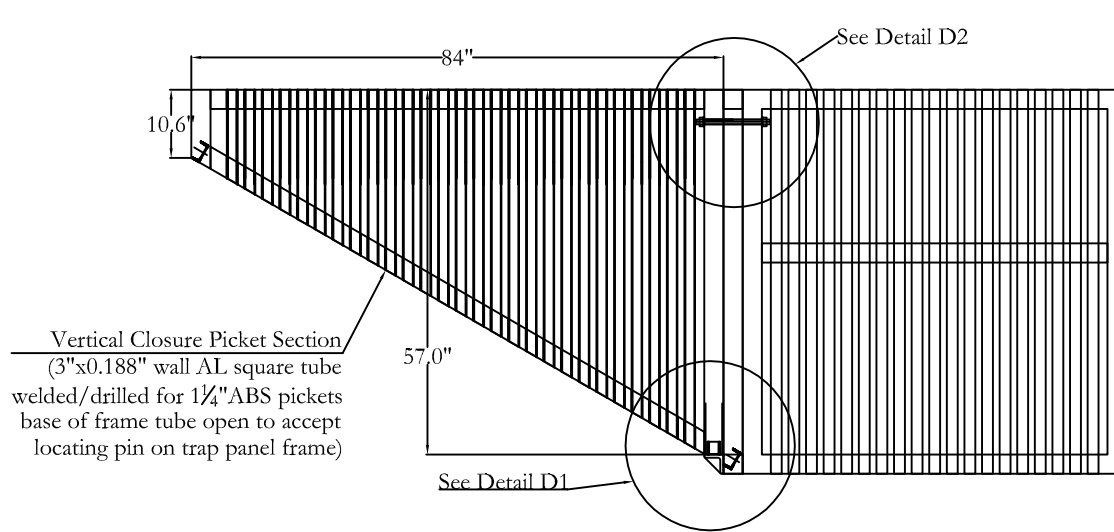
Okanogan River Fish Collection Weir
Malott Site 2

**Wood Access Bridge & Stair
Side Elevation**

Figure 15

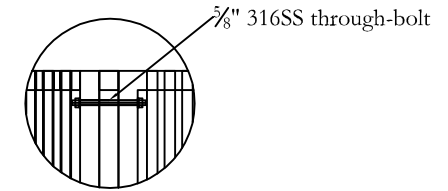
21893-1	REV. NO.: 0	DRN. BY: TRS	5 May 2011
---------	-------------	--------------	------------

northwest hydraulic consultants



Vertical Closure Picket Section
 (3"x0.188" wall AL square tube
 welded/drilled for 1/4" ABS pickets
 base of frame tube open to accept
 locating pin on trap panel frame)

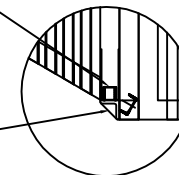
**Trap Vertical Closure Picket
 Side Elevation**



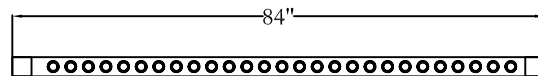
**Trap Vertical Closure Picket
 Detail D2**

2"x0.25" wall x 2" high AL Square Tube
 (Short section welded to angle support
 to provide centering pin for closure
 picket section locating)

3"x3"x1/2" AL Structural Angle Section
 (with 1/2" thick flange welded in for support)



**Trap Vertical Closure Picket
 Detail D1**



**Trap Vertical Closure Picket
 Top View**

Colville Confederated Tribes
Fish & Wildlife

Okanogan River Fish Collection Weir
 Malott Site 2

**Fish Trap Details
 Picket Closure Section - Details
 Figure 16**

21893-1	REV. NO.: 0	DRN. BY: TRS	5 May 2011
---------	-------------	--------------	------------

northwest hydraulic consultants